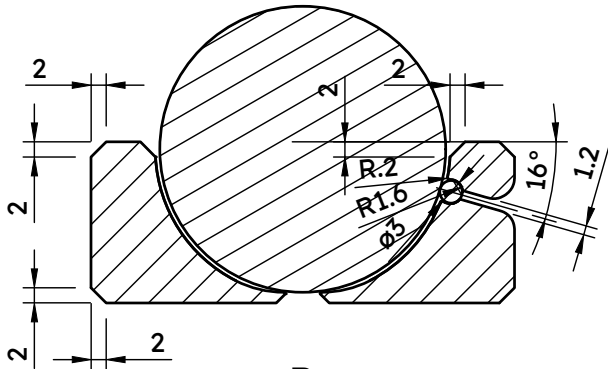


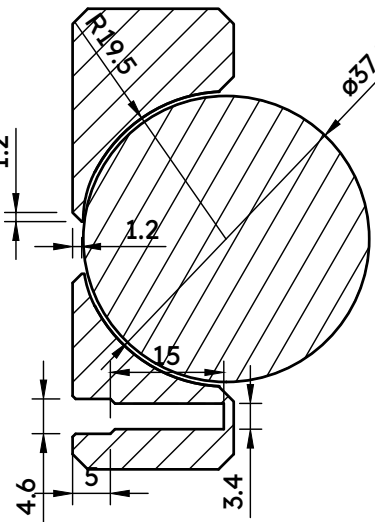
Top

Bottom

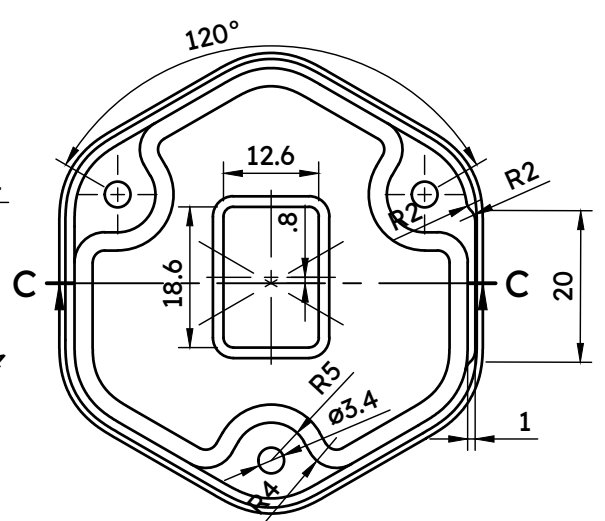
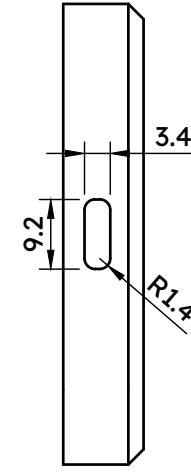
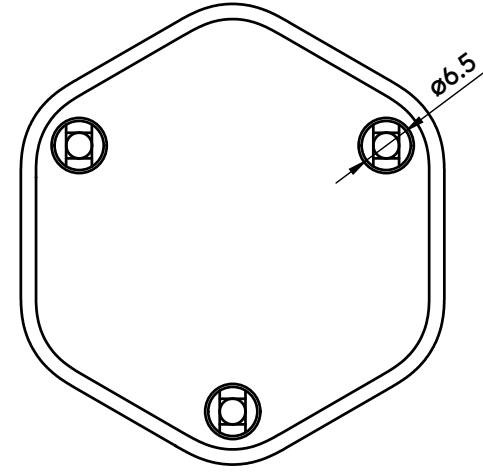
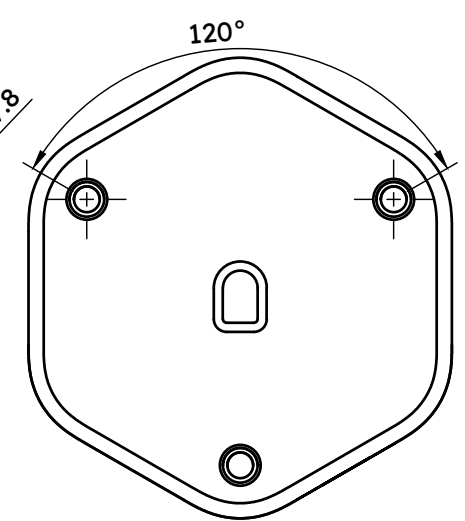
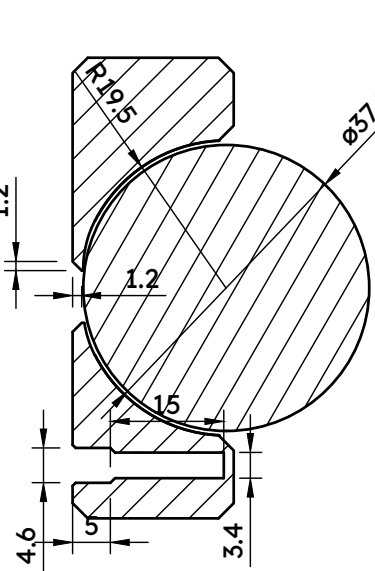
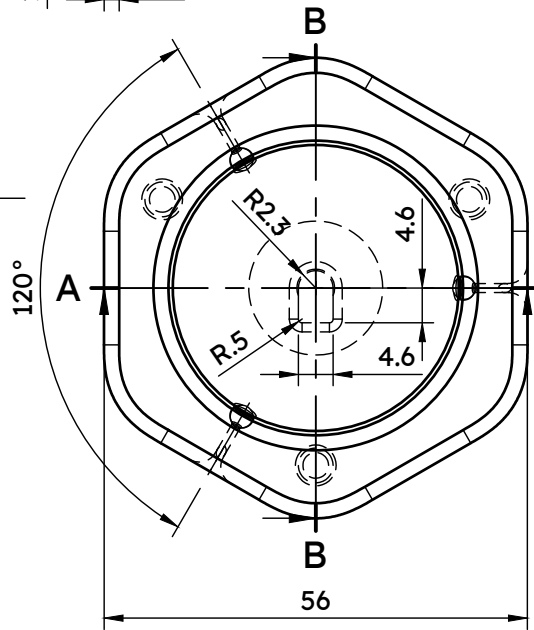
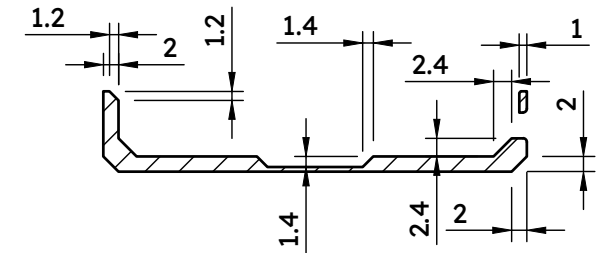
A-A (1:1)



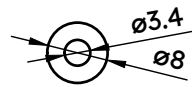
B-B (1:1)



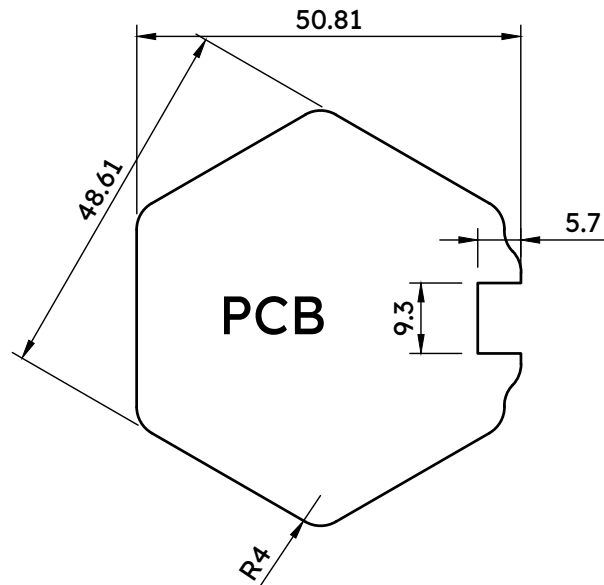
C-C (1:1)



PCB Spacer (x3)



PCB



Dept.	Technical reference	Created by TMSHader	09/01/2025	Approved by
		Document type	Document status In Development	
		Title HexTrack	DWG No.	
Rev. 1	Date of issue 09/01/2025	Sheet 1/1		